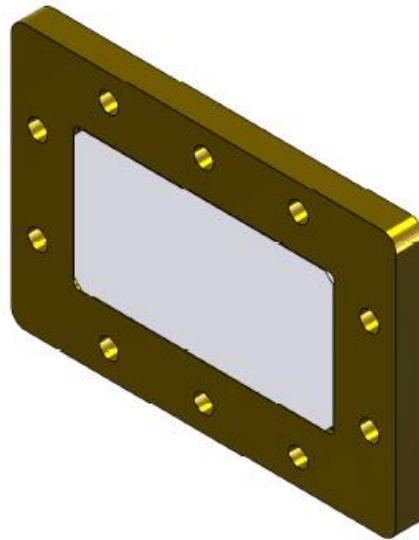




MICROWAVE WINDOW REF. FTA WR340R AL



APPLICATIONS

The role of the microwave PTFE window is to transfer the microwave energy between two media without inducing any reflected power. The window allows the separation of different environments at pressure close to atmospheric; in addition, the window can be used as a 'light barrier', i.e. hides the light emitted by plasma that could trigger off the arc detector installed in some microwave generators.

This window handles medium temperature and high microwave power levels (plasma applications).

REF.	FTA WR340R AL
Frequency	2450 MHz +/- 50 MHz
Maximum power	6 kW continuous wave (CW)
VSWR (return loss)	< 1.05 (< -32 dB) at frequencies between 2425 and 2475 MHz
Waveguide	Flange WR340
Temperature	250 °C
Materials of construction	Aluminium and Teflon
Dimensions (mm) / Weight	138 x 95 x 12 - see drawing / 0.3 kg

