



54 kW, 915 MHz MICROWAVE GENERATOR

Ref: GLP540KSMT400FSTMEPR3IR

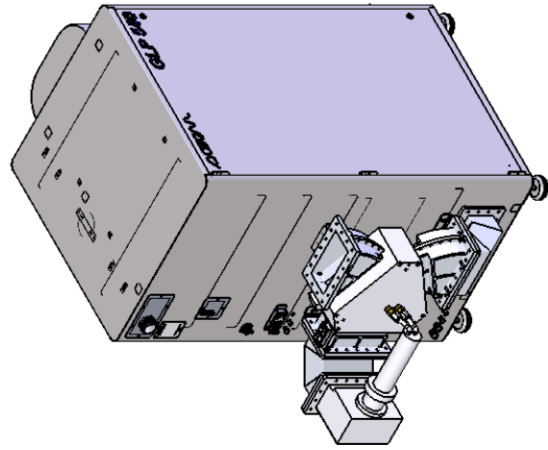
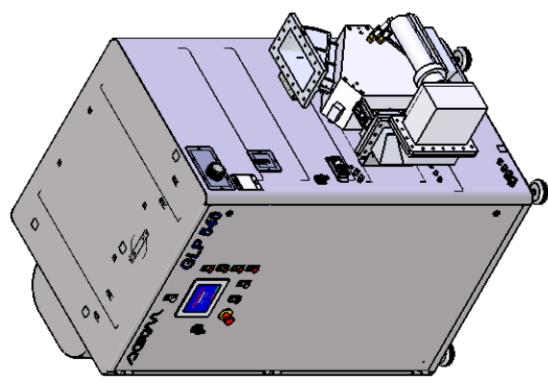
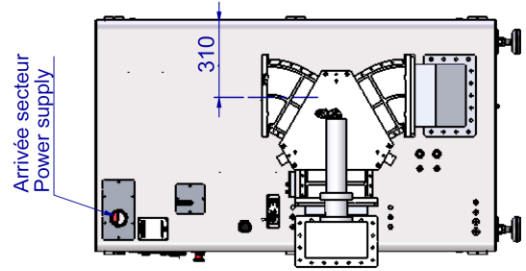
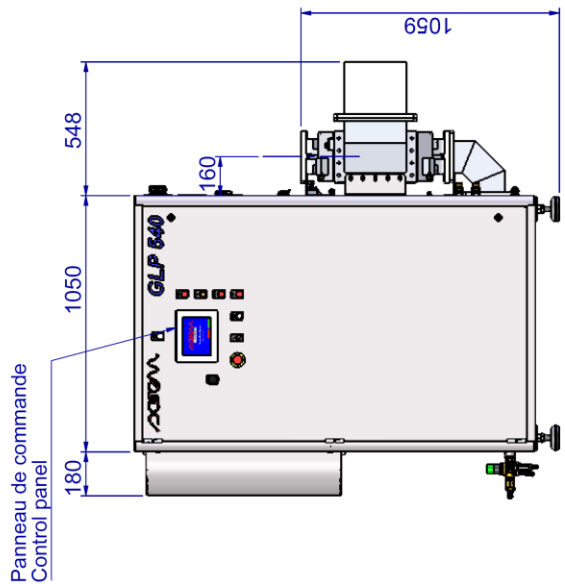
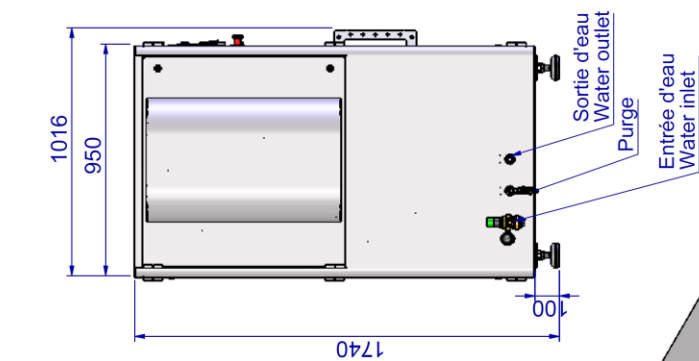
The GLP540KSM 56T400 AP 3IR is a continuous wave microwave generator consisting of one tight cabinet within which the switch mode HV power supplies and the magnetron are installed. A PLC drives simultaneously the magnetron anodic power, electromagnet current and filament voltage.

The result is a very low power setting possibility (5 kW), maximum efficiency, reduced ripple and increased magnetron life time, full water cooling (no external air) for strong ambiance, temperature and moisture..

SAIREM's built-in Automatic Restart Function (ARF) avoids the total shutdown of the generator during a process if accidentally the magnetron switches off.



REF	GLP540KSMT400FSTMEPR3IR
Presentation	Stainless steel cabinet includes 3 off x switch mode HV power supplies ($\eta > 93 \%$) and isolator mounted externally. Electromagnet's supply consists of a switch mode system with current regulation. Filament supply enables soft start, voltage regulation and anti-moding function.
Frequency	915 MHz \pm 10 MHz or 896 MHz \pm 10 MHz (to be specified); central frequency is imposed by the magnetron
Output power	Adjustable from 5 to 54 kW
Power stability, ripple	Better than 1 % between 5 kW and 54 kW, ripple \pm 2 % at full output power
Rise & fall times	10 ms in standard KSM version
HMI Display	Colour touch screen control, all controls & functions accessible, PRO-FACE PLC, fault history... Local or full remote.
Operating mode	Continuous wave (CW), ramp, timer, ARF system (Automatic Restart Function)
Maximum SWR	integrated isolator, 25 kW RP (reflected power) any phase by forward power limitation or stop by fault (to be chosen from menu)
Remote control	Analog or Ethernet Modbus – to be chosen on ordering. Option Profibus, Canopen...)
Safety interlock	Safety relay, emergency stop...
Mains	380 to 415 V, 50 Hz or 60 Hz, 3 phases + earth
Consumption	~ 70 kVA at full power
Water cooling	60 L/min @ 4 bar differential pressure (for max. 25 kW RP dissipated heat), water temperature (18 °C to 25 °C) monitored, each water flow circuit monitored, max. pressure 6 bars.
Air Ambient	5 to 45 °C, humidity < 95 %
Microwave output	WR975, flange CPR 975
Sizes, Weight	see next page, ~ 570 kg



				TITRE: MW GENERATOR 915MHz 36kW and 54kW GLP360 / GLP540	
				FORMAT: A3	DESIGN NO. 3457-ENS A
				ECHELLE: 1:20	WEIGHT: 684,62
				12, Porte du GRAND LYON 01707 NEYRON Cedex - FRANCE tél: 04 72 01 81 60 fax: 04 72 01 81 79 www.sairem.com	
				EMISSION ORIGINALE	MODIFICATION DU DESSIN
				VERIFIE APPROUVE	
				DESSINE	
A	19/12/16	ML			
INDICE	DATE	DESIGNER			