



LABOTRON DUO 2X2000: 2450 MHz, 2 X 2 kW

The LABOTRON DUO 2x2000 is a double multimode resonant microwave cavity, easy to operate and specially designed for industrial use in chemistry, biochemistry, cosmetology, etc. The products to reheat, soften or melt can be pasty products, resins, liquids, etc. in containers, bottles, cans, barrels, etc. The LABOTRON DUO can also process solid products.

The LABOTRON DUO 2x2000 is flexible and meets any requirement you may have; the 2 cavities can be operated together or separately with products of different sizes and volumes and with independent programs and recipes for each cavity.

Each cavity is equipped with a turn table and a microwave coupling system to ensure homogeneous heating. Each cavity has an infrared thermometer for temperature measurement and control, e.g. microwave heating stops when the product has reached the required temperature.



Fig. 1 LABOTRON DUO 2x2000

The LABOTRON DUO 2x2000 is made of high quality stainless steel with a high finish level.

It is « ATEX ready » and built according to ATEX2 requirements but is not delivered with the certification.

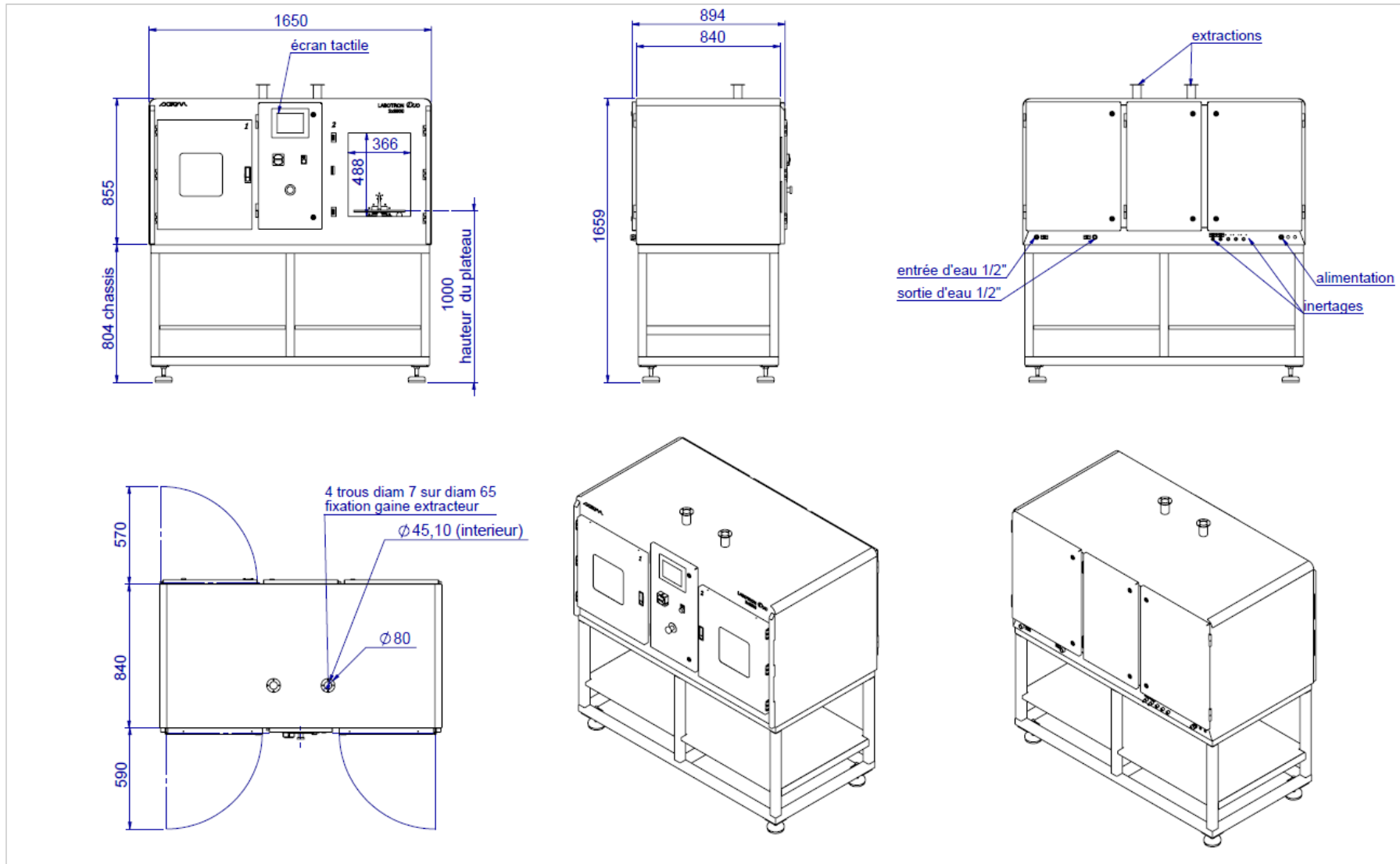
The magnetron reliability is insured by built-in isolators which also make possible the measurement of the reflected power.

A product sensor is installed inside each microwave cavity to prevent operation when cavities are empty.

Continuous control and parameters (forward power, reflected power and temperature) are displayed on a built-in digital touch screen.

Main features:

REF.	LABOTRON DUO 2X2000
Microwave frequency	2450 MHz
Microwave power	For each cavity: 2 kW (CW), adjustable from 0 to 100 % i.e. 4 kW for the Labotron DUO.
Number of microwave cavities	2, stainless steel 304L, frame mounted.
Doors	¼ wave choke, closing with double safety system, window and LED internal lighting via.
Safety	<ul style="list-style-type: none"> - Double safety contact for each door; - Limitation of reflected power by the PLC and the isolator for each generator ; - Temperature sensor in the microwave cavities ; - Possible purge by inert gas in each cavity and in the control cabinet (if required). Gas connection G ¼ F; Gas extraction on top of the Labotron via 2 chimneys (see drawing) ; - 'Beep' at the end of 'reaction time'.
Temperature control	IR (infrared) from 0 to 300 °C
Heating homogeneity	By turn table
Controls	Forward power, reflected power and temperature via digital touch screen. Product presence sensor.
Mains voltage	3x400 V, 50 Hz, max. 10 A.
Magnetron cooling	By water, 5 L/min, built-in flow control valve.
Dimensions, weight	1.65 m x 0.9 m x 1.66 m – approximately 450 kg



A	26/07/13	ML			EMISSION ORIGINALE
INDICE	DATE	DESSINE	VERIFIE	APPROUVE	MODIFICATION DU DESSIN

	TITRE
FORMAT: A3	LABOTRON DUO 2x2000
ECHELLE: 1:20	
WEIGHT: 431.04	DESSIN NO. 3402-ENSA