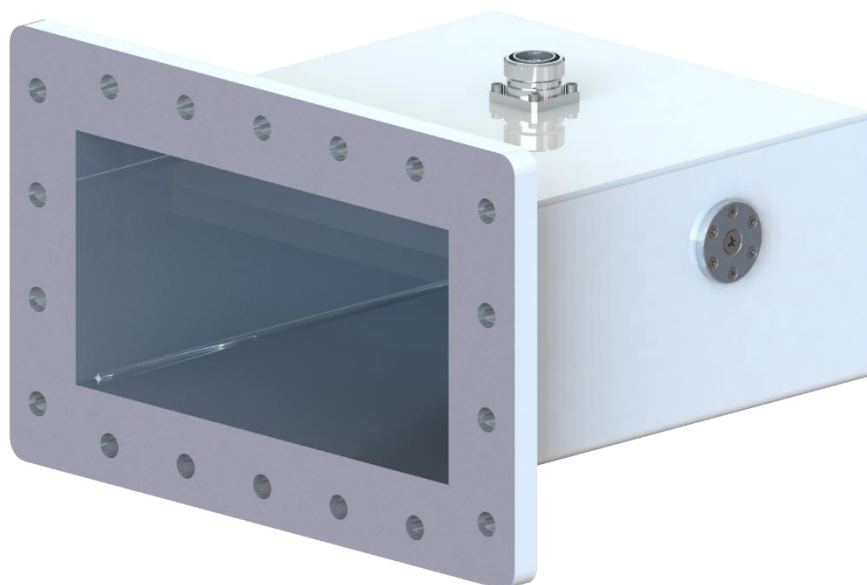




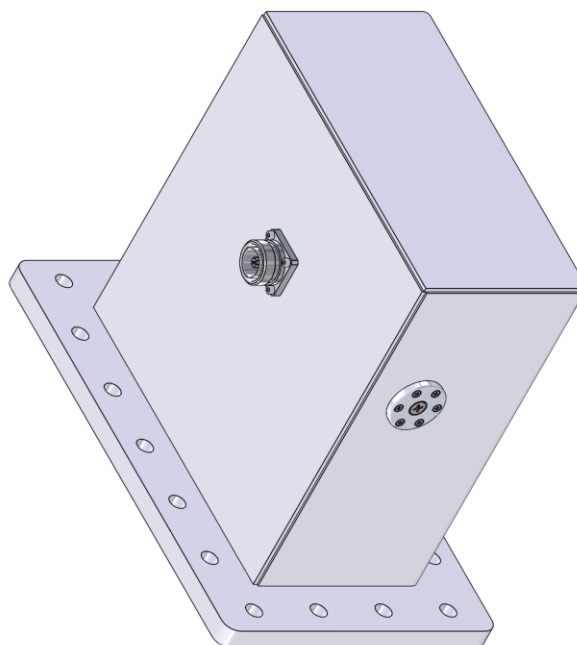
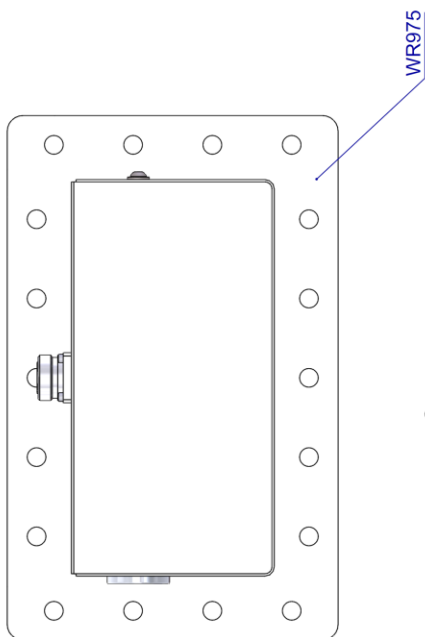
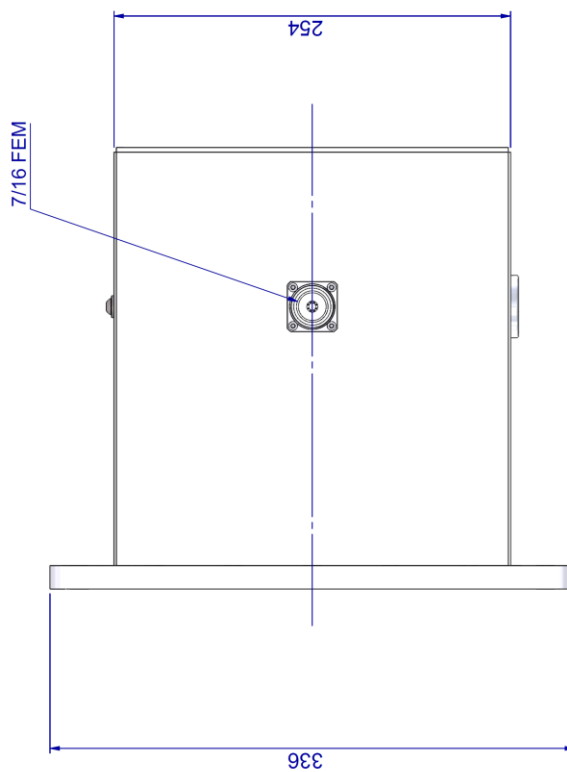
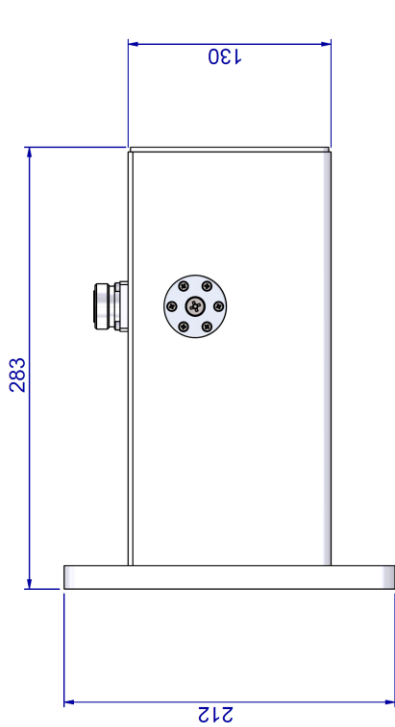
# TRANSITION WR975 TO 7/16 COAXIAL ADAPTOR FOR 50 OHM 915 MHz POWER REF GCP50 7-16 915 WR975



This transition WR975 to coaxial adaptor offers both a very low level of reflected power and high incidental power rating.

The integrated crossbar design allows for an optimized response over a wide frequency band as well as the dissipation of heat from the core of the coaxial cable.

<b>REF</b>	<b>GCP 50 7-16 915 WR975</b>
<b>Frequency</b>	915 MHz +/- 13 MHz
<b>Maximum power</b>	2500 W en continuous wave (CW) / 5 kW peak power ; the maximum power is not limited by the transition, but rather by the coaxial cable (not supplied)
<b>SWR</b>	$\leq 1,15$ over the frequency range
<b>Waveguide connection</b>	WR975
<b>Coaxial connection</b>	7/16 female connector
<b>Material</b>	Aluminium, epoxy white paint
<b>Weight</b>	1,85 Kg



TITRE: **TRANSITION GUIDE COAX**  
 GCP50W975/7-16  
 DESSIN NO. **3452-COM**

FORMAT: **A3**  
 ECHELLE: **1:3**  
 WEIGHT: **3,87**



12, Porte du GRAND LYON  
 01707 NEYRON Cedex - FRANCE  
 tél: 04 72 01 81 60 fax: 04 72 01 81 79  
 www.sairem.com

INDICE	DATE	DESSINE	VERIFIE	APPROUVE	EMISSION ORIGINALE	MODIFICATION DU DESSIN
A	10/10/2016	BDE				