



TRANSITION WR340 TO COAXIAL ADAPTOR REF. TCGP50WR340R7-16

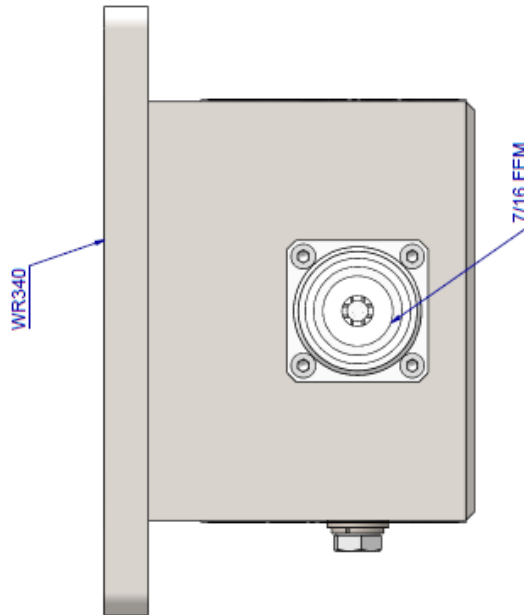
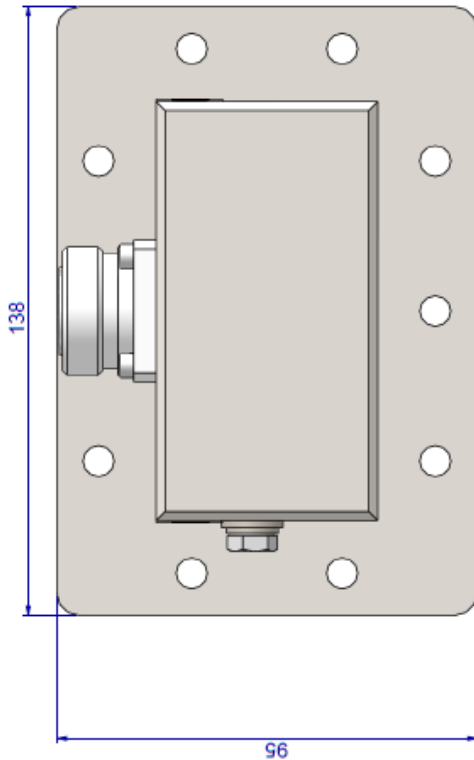
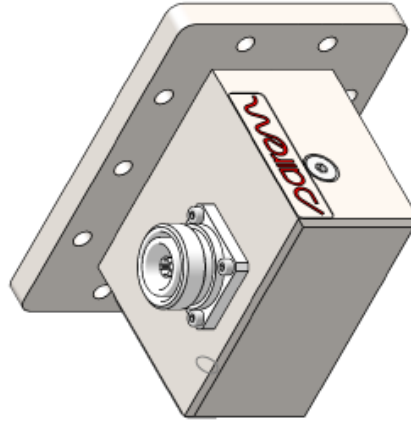
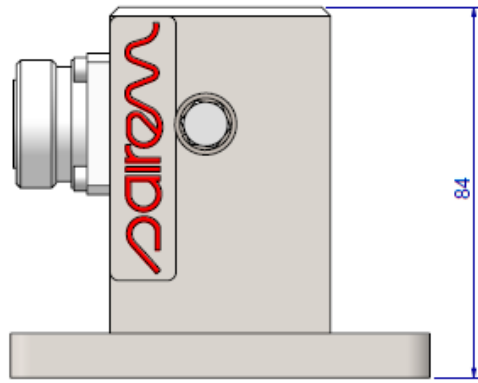


The role of the TCGP50WR340R7-16 transition (adaptor) is to transfer the microwave signal from a WR340 waveguide to a coaxial applicator or from a coaxial signal to a WR340 structure. This adaptor has been developed for laboratory and industrial applications up to 1000 W at 2450 MHz. However, if used in combination with a co-axial cable, the microwave power should not exceed the nominal power of the cable.

The integrated crossbar design allows for an optimized response over a wide frequency band as well as the dissipation of heat and the power rating.

The adaptor is tuned for working with a WR340 applicator if the microwave energy is provided from a coaxial exit (for example, Sairem's solid state microwave generator GMS450W) or vice versa, from a waveguide to a coaxial cable.

REF	TCGP50WR340R7-16
Frequency	2450 MHz +/- 50 MHz
Maximum power	1000 W in continuous wave (CW)
SWR	< 1,15 (<-23 dB) between 2400 and 2500 MHz
Losses	< 0.2 dB
Waveguide connexion	WR340 standard flange
Coaxial connexion	7/16-type female
Materials	Aluminum alloy
Size / Weight	See drawings / 0.9 kg



			
		12, Route du GRAND LYON 01700 NEYRON Cedex - FRANCE Tél: 04 72 01 81 60 Fax: 04 72 01 81 79 www.sairem.com	
TITRE: TGCPWR340R7/16		FORMAT: A3	DESSIN NO: 3472-ENSA
		ECHELLE: 1:1	POIDS: 0.64
A INDICE	17/10/2017 DATE	BOE DESSINE	EMISSION ORIGINALE VERIFIE APPROUVE MODIFICATION DU DESSIN