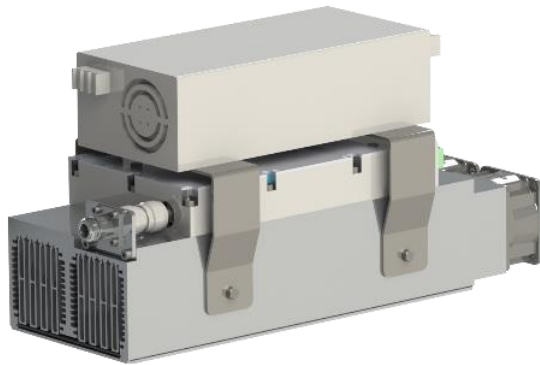




## SOLID-STATE GENERATOR KIT FOR INTEGRATION 200 W, 2450 MHz, Reference KMS 200 AIR



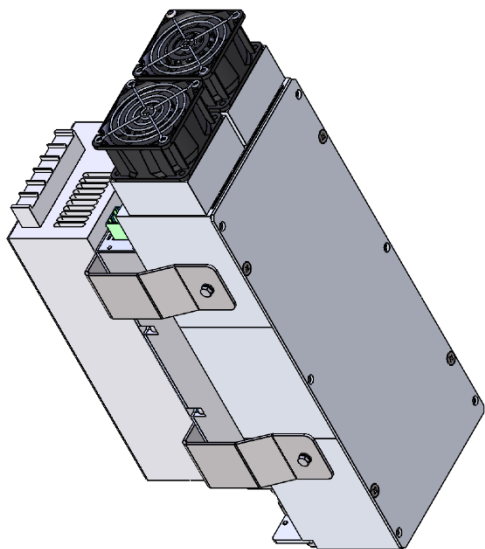
- Microwave Output view -



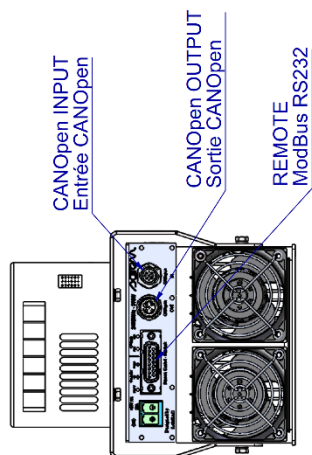
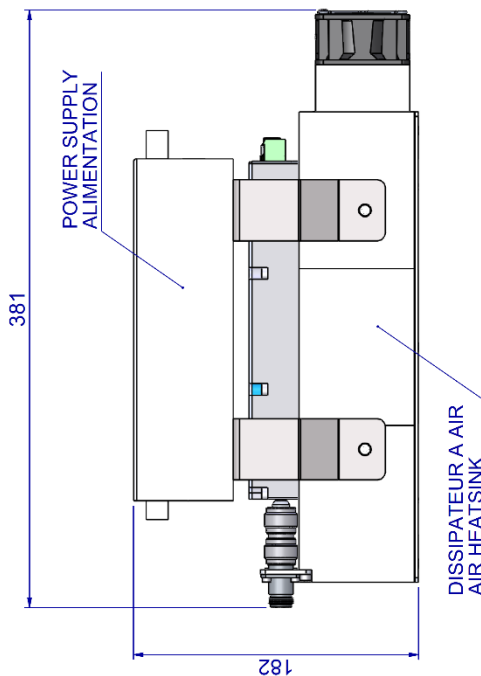
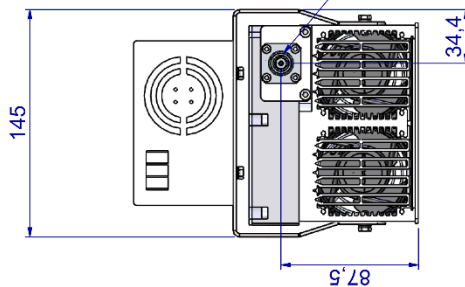
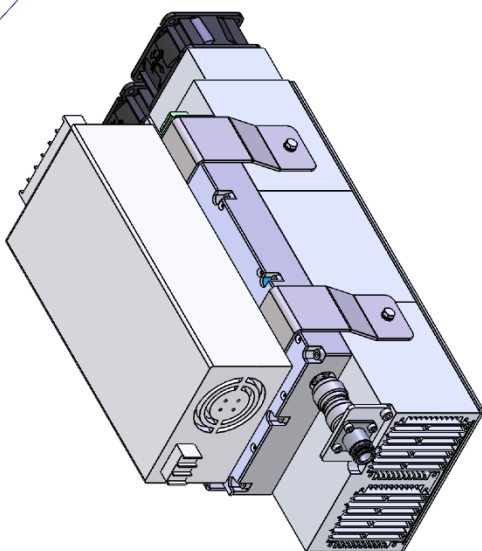
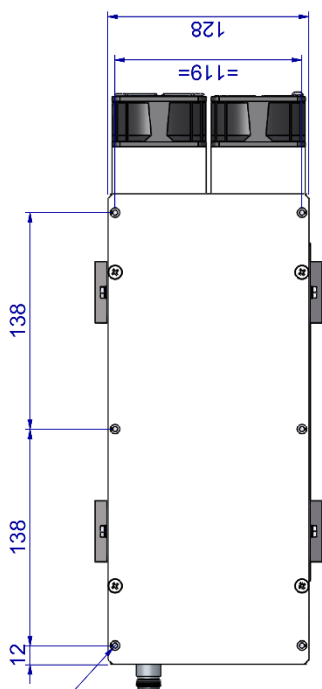
- AC & I/O connectors view -

The KMS 200 AIR is a high-power solid-state generator kit designed for integration into customer's system. This is not intended to be used as a standalone product. It allows to produce continuous microwave power in the ISM band at 2.45 GHz. The output power is adjustable from 0 to 200 W at frequencies ranging from 2400 MHz to 2500 MHz. This kit is designed for scientific and industrial applications to be used with one or multiple MW applicators, to assure high reliability and small footprint. The protection against high reflected power and the measurement of reflected power are performed via a built-in isolator. Modbus RS232 allows to control the generator using LabVIEW® for instance, and CANopen interface allows to control the generator with an industrial PLC. The kit is provided with a software pack including a LabVIEW® interface and a LabVIEW® library.

Ref.	KMS 200 AIR
<b>Frequency range</b>	2450 MHz $\pm$ 50 MHz
<b>Frequency resolution</b>	100 kHz
<b>Output power</b>	0 to 200 W (adjustable with 1 W step) $\pm$ 2 %
<b>Forward and Reflected power measurement</b>	Coupler with true RMS detector – linear measurement allowing accurate read out (value is directly in Watts).
<b>Ripple</b>	< 0.2 % RMS
<b>Reflected power</b>	Threshold adjustable from 1 W to 100 W – limitation and stop mode available
<b>Protection functions</b>	VSWR (built-in isolator with automatic power reduction), excess temperature (overheating interlock)
<b>Microwave output</b>	Coaxial cable N female plug, 50 ohms, output equipped with a replaceable connector.
<b>Remote control</b>	Modbus RS232 or CANopen ON/OFF control / output power set point with 1W step Frequency set point: 100 KHz step (e.g. 2449.9 MHz) Forward and reflected power reading in Watt Autotune and scan SAIREM algorithms to minimize reflected power by adjusting the frequency. Safety Interlock (hardware & software)
<b>Supply voltage</b>	110 VAC / 5 A - 240 VAC / 2.5 A (50 Hz – 60 Hz) PFC included 24V DC – 1 A for cooling fan. Small power supply is supplied in the kit (in case if 24V DC is not available in customer's system).
<b>Cooling</b>	Air cooling by fans, ambient 18 to 35°C.
<b>Mean Time Between Failure</b>	100,000 hours
<b>Size, weight</b>	Aluminium case. Overall dimensions: 381 $\times$ 145 $\times$ 182 mm, 7.5 kg approx.
<b>Safety Regulations</b>	Must be certified by customer in the complete system



6 x M4  $\nabla$  8  
Fixing Holes



REV.	A	03/09/2018	DLE	BY	APPROVED	EMISSION ORIGINALE	UPDATE	
ALL RIGHT RESERVED							SCALE	1:3
SAIREM							GENERATEUR ETAT SOLIDE 200 W 2450 MHz + ALIM	
12, Porte du GRAND LYON, 01700 NEYRON, FRANCE Tel: 04 72 01 81 60							SOLID STATE GENERATOR 200 W 2450 MHz +ALIM	
							N° 3275-ENS MMS-DISSIPATEUR-ALIM	