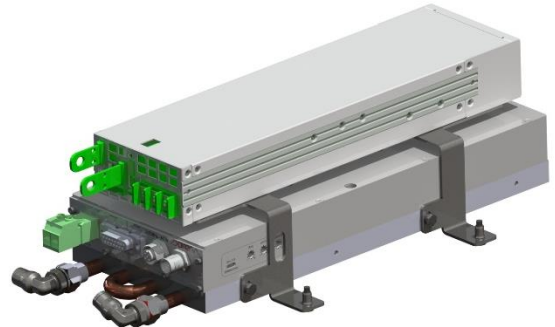




SOLID-STATE GENERATOR KIT FOR INTEGRATION 450 W, 2450 MHz, Reference KMS 450



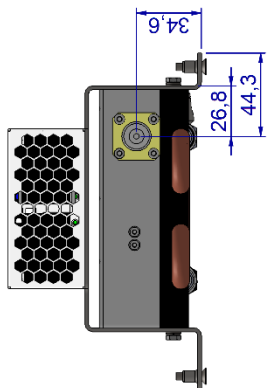
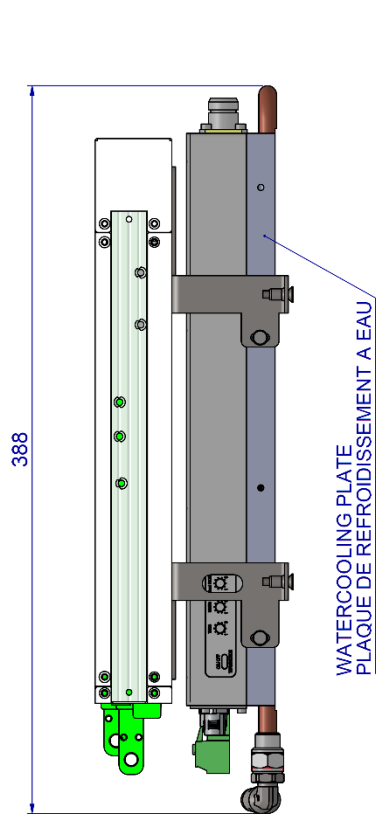
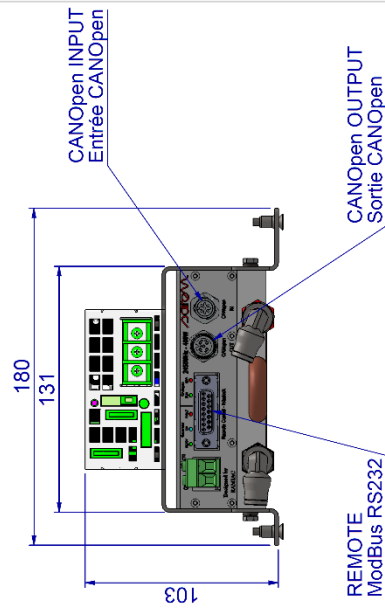
- Microwave Output view -



- AC & I/O connectors view -

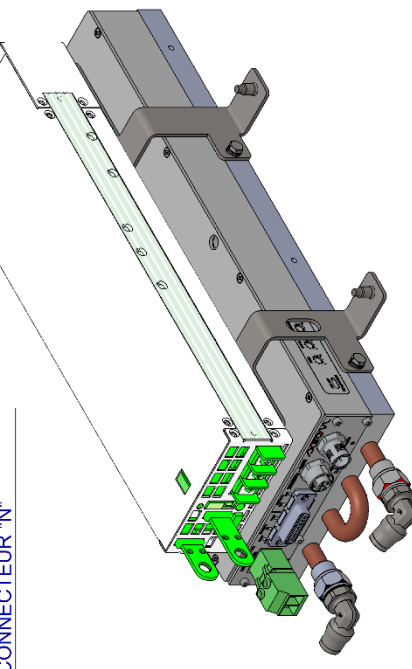
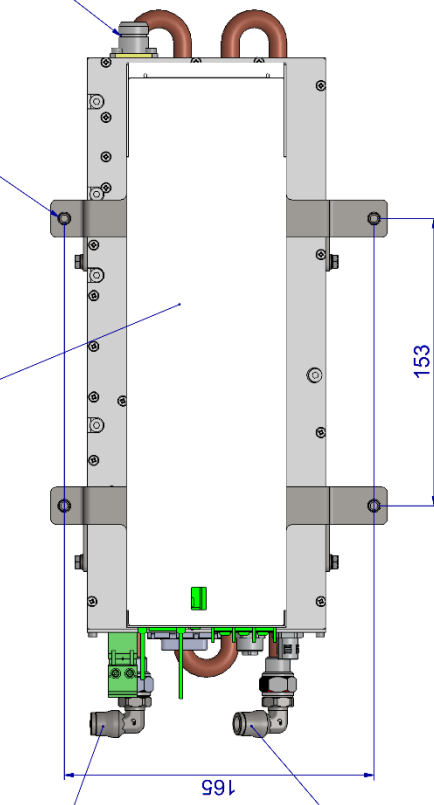
The KMS 450 is a high-power solid-state generator kit designed for integration into customer's system. This is not intended to be used as a standalone product. It allows to produce continuous microwave power in the ISM band at 2.45 GHz. The output power is adjustable from 0 to 450 W at frequencies ranging from 2400 MHz to 2500 MHz. This kit is designed for scientific and industrial applications to be used with one or multiple MW applicators, to assure high reliability and small footprint. The protection against high reflected power and the measurement of reflected power are performed via a built-in isolator. Modbus RS232 allows to control the generator using LabVIEW® for instance, and CANopen interface allows to control the generator with an industrial PLC. The kit is provided with a software pack including a LabVIEW ® interface and a LabVIEW ® library.

Ref.	KMS 450
Frequency range	2450 MHz \pm 50 MHz
Frequency resolution	100 kHz
Output power	0 to 450 W (adjustable with 1 W step) \pm 2 %
Forward and Reflected power measurement	Coupler with true RMS detector – linear measurement allowing accurate read out (value is directly in Watts).
Ripple	< 0.4 % RMS
Reflected power	Threshold adjustable from 1 W to 150 W – limitation and stop mode available
Protection functions	VSWR (built-in isolator with automatic power reduction), excess temperature (overheating interlock)
Microwave output	Coaxial cable N female plug, 50 ohms
Remote control	Modbus RS232 or CANopen ON/OFF control / output power set point with 1W step Frequency set point: 100 KHz step (e.g. 2449.9 MHz) Forward and reflected power reading in Watt Autotune and scan SAIREM algorithms to minimize reflected power by adjusting the frequency. Safety Interlock (hardware & software)
Supply voltage	110 VAC / 11 A - 240 VAC / 5.5 A (50 Hz – 60 Hz) PFC included
Cooling	Water cooled. Quick water connectors included. Water cooling: minimum 2 L/min @ 1.5 bar, 17°C to 22°C (63°F to 72°F). Ambient operating temperature: 5 to 35°C (41°F to 95°F). Relative humidity below dew point.
Mean Time Between Failure	100,000 hours
Size, weight	Aluminium case. Overall dimensions: 388 \times 180 \times 103 mm, 7.05 kg.
Safety Regulations	Must be certified by customer in the complete system



4x M4 FIXING HOLES
4x trou de fixation M4

MICROWAVE OUTPUT 450W
"N" CONNECTOR
SORTIE MICRO-ONDE 450W
CONNECTEUR "N"



REV.	DATE	DLE BY	APPROVED	EMISSION ORIGINALE	UPDATE
A	06/11/2018				
ALL RIGHT RESERVED					
				SCALE	
				2.5	
KMS450					
KIT MMS 450W + ALIM					
N° 3449-MEK1017					